

Crescent of Cambridge Ltd

Pre-fabricated Spiral Staircases

46 Edison Road, St. Ives, Cambridgeshire PE27 3LG
 Tel : +44 (0)1480 301522 Fax : +44 (0)1480 494001
 sales@crescentstairs.co.uk - www.crescentstairs.co.uk

Please complete this questionnaire to enable us to provide a staircase to the correct specification.

Customers name and address

Name _____
 Address _____

 Tel No. _____

Delivery address for staircase if different from that of customers

Address _____

 Tel No. _____

If you have a drawing of the property, please mark it with the desired position of the staircase and return it with this completed form.

1 Single flight details

Details of floor construction :

Upper floor details :

Delete those not applicable

Concrete + Screed	yes	no
Timber	yes	no

Enter thicknesses on diagram opposite

Lower floor details :

Delete those not applicable

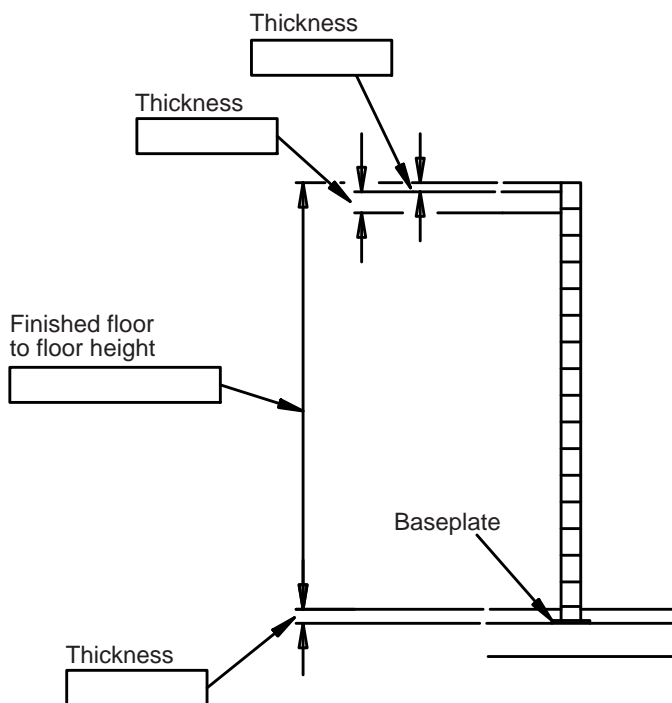
Concrete + Screed	yes	no
Timber	yes	no

Is baseplate to be hidden under screed ?

yes	no
-----	----

Delete those not applicable

If YES, enter thickness on diagram opposite >



If floor construction differs from the alternatives shown above, please give details below :

2 Core joist attachment details

If no landing is required and is to be formed by client, a 90° core joist attachment is normally supplied. If any other angle is required please specify the required angle below :

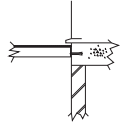
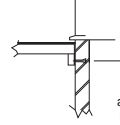
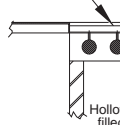
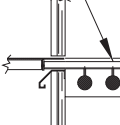
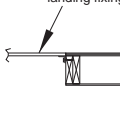
core joist attachment angle =

3 Landing fixing details

Landing is to be supplied by **Crescent** **other**

Delete those not applicable

If a landing is required please indicate the landing fixing using the tick boxes below.

<p>1</p> <p>Landing bolted to either cast concrete cill or edge of floor slab.</p> 	<p>2</p> <p>Extended landing fixing brackets for bolting to brickwork.</p>  <p>adjusted to suit site conditions</p>	<p>3</p> <p>Fixing straps to secure to pre-cast concrete beams</p>  <p>Hollow beams locally filled by contractor</p>	<p>4</p> <p>Independent fixing straps secured to pre-cast concrete beams or floor slab, projecting through clad building to accept landing fixing</p> 	<p>5</p> <p>Typical Crescent timber landing fixing</p> 
<input type="checkbox"/>	<input type="checkbox"/>	<input type="checkbox"/>	<input type="checkbox"/>	<input type="checkbox"/>

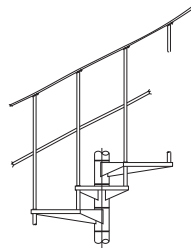
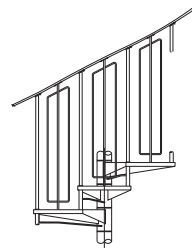
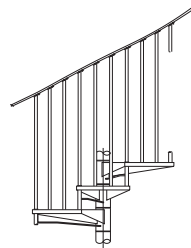
NOTE : We will supply a landing with fixings as per diagram 1 unless otherwise stated !

4 Balustrade details




Is the balustrade to comply to the 100mm gap rule ? **yes** **no**

Delete those not applicable

Shown below are some standard balustrade designs for you to consider. Please indicate your balustrade design requirements.

Standard Balusters with kneerail (does not comply to the 100mm gap rule)	Housing infill Panels (complies to the 100mm gap rule)	1, 2 or 3 additional balusters per tread (complies to the 100mm gap rule)
		 <p>Note : The number of additional balusters required on each tread is dependant upon the model of the staircase</p>
<input type="checkbox"/>	<input type="checkbox"/>	<input type="checkbox"/>

5 Type of handrail required *Please tick box*

Standard Section	Standard Section Black PVC Covered	ø38 Slotted Tubular	Other if required (please specify below)
			<input type="checkbox"/>
<input type="checkbox"/>	<input type="checkbox"/>	<input type="checkbox"/>	<input type="checkbox"/>

6 Details of treads for steel treaded staircases

If steel treads are required, please indicate by the use of the tick boxes provided, your requirements :

Ribbed Plain Recessed Durbar Plate Open Mesh

7 Details of treads for wooden treaded staircases

If hardwood treads are required, please indicate by the use of the tick boxes provided, your requirements.

Material			Style						
Iroko	<input type="checkbox"/>	Sapele	<input type="checkbox"/>	Plywood	<input type="checkbox"/>	Solid tread	<input type="checkbox"/>	Edged for carpet recess	<input type="checkbox"/>

8 Details of tread covers

If studded rubber tread covers are required, please indicate colour in boxes provided (these colours are stock items)

Black Dark Grey Light Grey

Other colours can be supplied to order, however this may have delivery and cost implications

9 Type of finish to steelwork

Please indicate the type of finish required by ticking/filling in the boxes below:

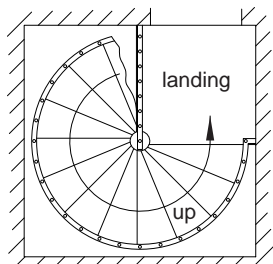
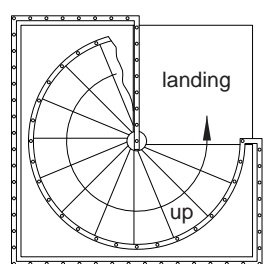
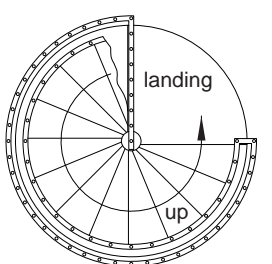
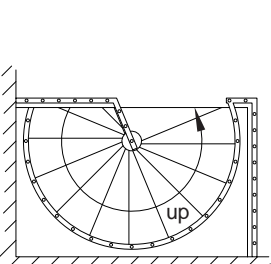
Grey Primer Hot Dipped Galvanised

Powder Coat	BS No.:	RAL No.:	finish : (delete those not applicable) gloss / semi-gloss / matt
Other (give details)			

10 Well balustrade details

Do you require well balustrade ? yes no
Delete those not applicable

Shown below are some standard well layouts for you to consider.
Please indicate, as appropriate, your requirements at the upper floor level.
NOTE : If none of the below are applicable please proceed to section 11.

			
<input type="checkbox"/> Square well balustrading with walls	<input type="checkbox"/> Square well balustrading with no walls	<input type="checkbox"/> Circular well balustrading with no walls	<input type="checkbox"/> Typical minimum well with walls

11 Details of stairwell

Please indicate on the following page the shape of your finished well, with dimensions, and the shape of the landing that you require.
If your balustrade requirements are different from those covered in section 10, please indicate your requirements on the "upper floor plan".

Other details that should be indicated on the following sketches are ;

1. Hand of ascent, i.e. **Clockwise** or **Anti-clockwise**.
2. Positions of any walls and doors.
3. Positions of any features that affect the design of the staircase.

NOTE: All dimensions quoted on the sketches should be in millimetres.

11 Details of stairwell (cont.)

Please indicate the hand of ascent by ticking the appropriate box ;

Start Clockwise

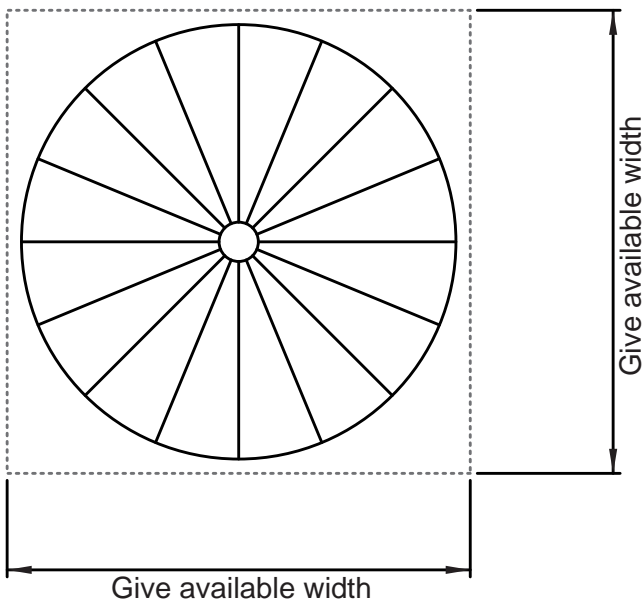
Start Anti-Clockwise

Enter stair model (if known)

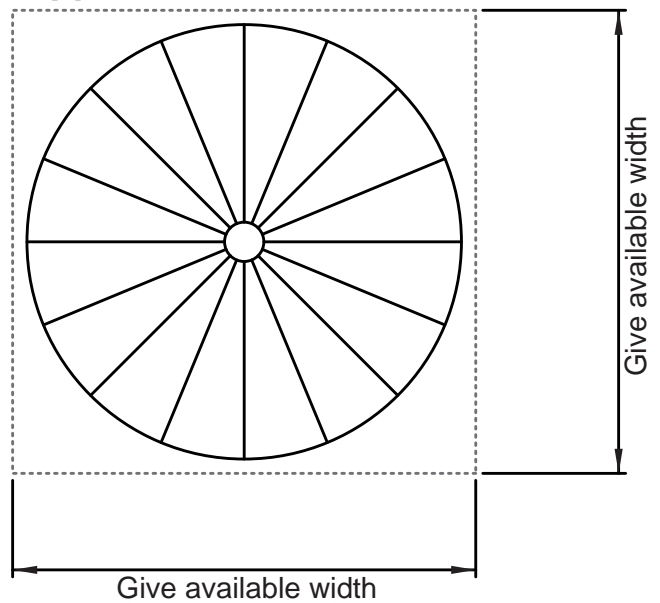
22.5° tread layout

Mark positions of walls and doors and indicate position of first tread on diagram below

Lower Floor Plan



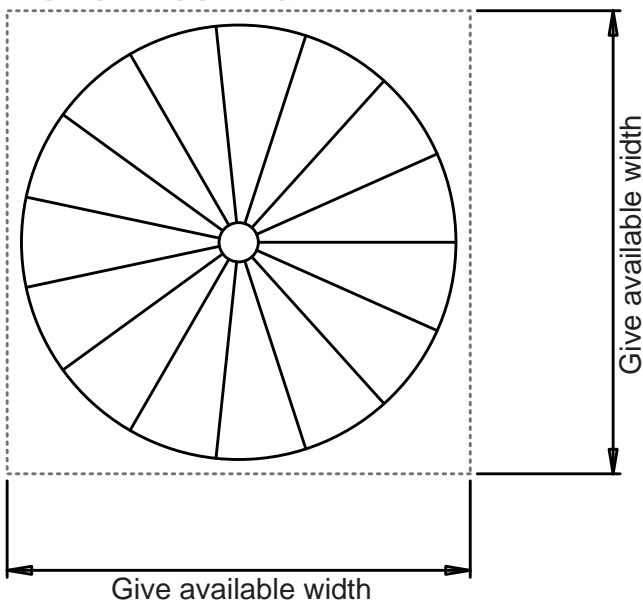
Upper Floor Plan



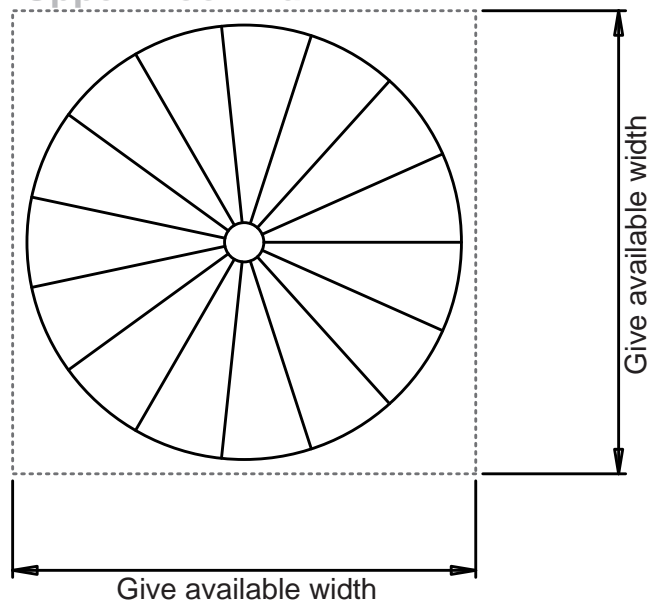
24° tread layout (e.g. model 14 or 18SP)

Mark positions of walls and doors and indicate position of first tread on diagram below

Lower Floor Plan



Upper Floor Plan



Crescent of Cambridge Ltd

46 Edison Road, St. Ives, Cambridgeshire PE27 3LG

Tel : +44 (0)1480 301522 Fax : +44 (0)1480 494001

sales@crescentstairs.co.uk - www.crescentstairs.co.uk